



LUCCI WHITEHAVEN DC CEILING FAN

- **INSTALLATION**
- **OPERATION**
- **MAINTENANCE**
- **WARRANTY INFORMATION**

CAUTION
**READ INSTRUCTIONS CAREFULLY FOR SAFE
INSTALLATION AND FAN OPERATION.**

THANK YOU FOR PURCHASING

Thank you for purchasing the latest in energy saving ceiling fans. This fan runs on DC (direct current) power which gives it the benefit of being super energy efficient whilst still maintaining high volume air-movement and silent operation.

Energy saving - The DC motor is the latest technology in fan design. Its highly efficient motor saves up to 65% more energy than ceiling fans with traditional AC motors.

Silent operation – This DC fan motor is programmed with a stabilised current which efficiently reduces motor noise.

Low operating temperature – The DC power is managed effectively which brings down the motor operating temperature to less than 50°C. This results in a much cooler motor than a standard AC fan and increases the longevity of the motor.

6 speed remote control - Regular AC ceiling fans usually come with only 3 speeds, this DC fan comes complete with a 6 speed remote, which gives a greater choice of comfort levels.

SAFETY PRECAUTIONS

1. In Europe: This appliance can be used by children aged from 8 years and above and persons with reduced physical, sensory or mental capabilities or lack of experience and knowledge if they have been given supervision or instruction concerning the use of the appliance in a safe way and understand the hazards involved. Cleaning and maintenance shall not be undertaken by children without supervision.
2. In Australia: The appliance is not intended for use by persons (including children) with reduced physical, sensory or mental capabilities, or lack of experience and knowledge, unless they have been given supervision or instruction concerning the use of the appliance by a person responsible for their safety.
3. Children should be supervised to ensure that they do not play with the appliance.
4. An all-pole disconnection switch must be incorporated into the fixed wiring, in accordance with local wiring rules.

IN AUSTRALIA

WARNING:

**FOR SAFE USE OF THIS FAN AN ALL-POLE DISCONNECTION
MUST BE INCORPORATED INTO THE FIXED WIRING IN
ACCORDANCE WITH THE WIRING RULES.**

As outline in clause 7.12.2 of AS/NZS 60335-1 for meeting the minimum electrical safety of this standard.




Please note warranty will be void if installation is without a means for an all-pole disconnection incorporated in the fixed wiring in accordance with the wiring rules.

Example: If a fan is connected to a circuit that can be isolated via an all-pole safety switch at the switchboard, then this is considered to be an all-pole disconnection to the ceiling fan electrical circuit, meeting the requirements of clause 7.12.2 of AS/NZS 60335.1.

A single-pole switch on the active of the receiver input of remote control must also be included in the wiring, and located the same room as the ceiling fan.



5.  Do not dispose of electrical appliances as unsorted municipal waste, use separate collection facilities. Contact your local government for information regarding the collection systems available. If electrical appliances are disposed of in landfills or dumps, hazardous substances can leak into the ground water and get into the food chain, damaging your health and well-being.
6. The structure to which the fan is to be mounted must be capable of supporting a weight of 30kg.
7. The fan should be mounted so that the blades are at least 2.3 m above the floor in Europe or 2.1 m above the floor in Australia.
8. This fan is suitable for indoor, alfresco and coastal areas where the fan is fully undercover with a minimum of 1 wall. This fan is not waterproof. When installed in an alfresco or coastal area, the ceiling fan must be positioned in a location protected from water, wind and dust. Exposure to these elements will void the warranty. Mounting the fan in a situation where it is subject to water or moisture is dangerous and may increase the risk of damage, injury or electrical shock and will void the warranty.
9. Must be assembled and installed by a licensed electrician.
10. The replacement of parts of the safety suspension system device shall be performed by the manufacturer, its service agent or suitably qualified persons.
11. The fixing means for attachment to the ceiling such as hooks or other devices shall be fixed with a sufficient strength to withstand 4 times the weight of the ceiling fan; that the mounting of the suspension system shall be performed by the manufacturer, its service agent or suitably qualified persons.
12. **WARNING:** If unusual wobbling or oscillating movement is observed, immediately stop using the ceiling fan and contact the manufacturer, its service agent or suitably qualified persons.



PARTS LIST

- Unpack your ceiling fan carefully. Remove all parts and hardware.
- Lay out all the components on a smooth surface and make sure there are no components missing before assembling. If parts are missing, return the complete product to the place of purchase for inspection or replacement.
- Check whether the ceiling fan has been damaged during transport. Do not operate/install any product which appears damaged in any way. Return the complete product to the place of purchase for inspection, repair or replacement.
- Examine all parts, you should have the following:

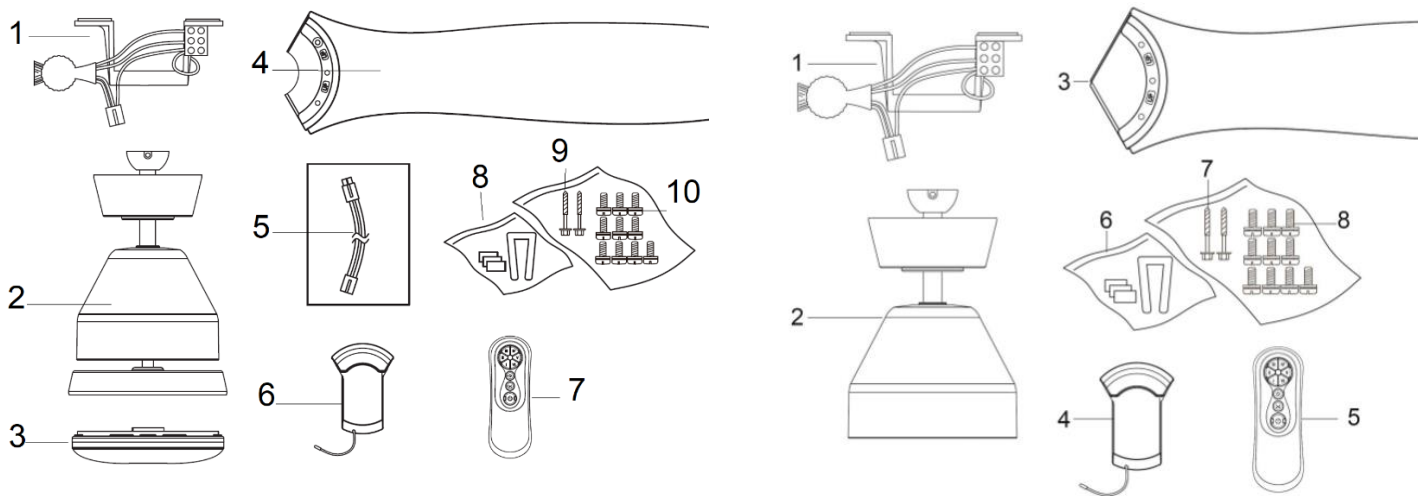


Fig. 1

FAN WITH LIGHT

1. Mounting bracket x 1
2. Fan assembly with motor housing, down rod, canopy cover, light kit and canopy x 1
3. Globe x 1
4. Blade x 3
5. Light extension wire for long down rod x 1
6. DC motor driver x 1
7. Remote transmitter with holder x 1 set
8. Balancing kit x 1 set
9. Screw for mounting bracket x 2
10. Blade screw x 9 (and 1 spare)

FAN WITHOUT LIGHT

1. Mounting bracket x 1
2. Fan assembly with motor housing, down rod, canopy cover and canopy x 1
3. Blade x 3
4. DC motor driver x 1
5. Remote transmitter with holder x 1 set
6. Balancing kits x 1 set
7. Screw for mounting bracket x 2
8. Blade screw x 9 (and 1 spare)



INSTALLING THE MOUNTING BRACKET

- The ceiling fan must be installed in a location so that the blades are spaced 300mm from the tip of the blade to the nearest objects or walls.
- Install the hanging bracket to the ceiling joist or structure that is capable of carrying a load of at least 30kg, with two long screws provided. Ensure at least 30mm of the screw is threaded into the support. (Fig. 2)

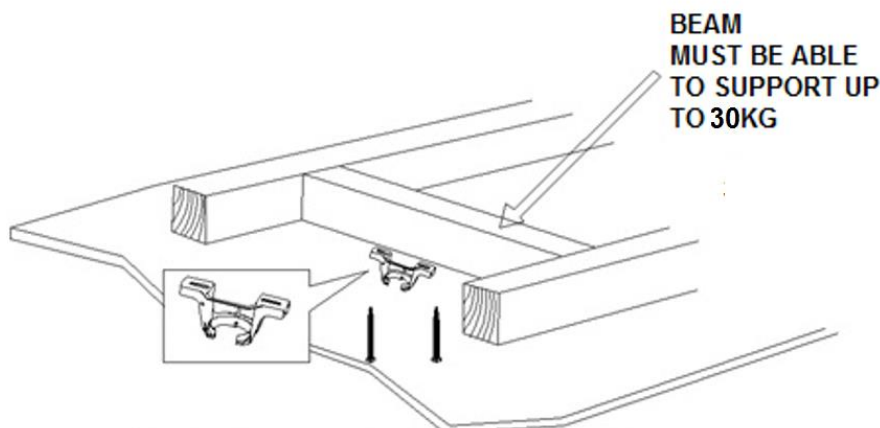


Fig. 2

NOTE: The bracket screws provided are for use with wooden structures only. For structures other than wood, the appropriate screw type **MUST** be used. Ensure the screws used are suitable for the mounting surface and the surrounding environment.

ANGLED CEILING INSTALLATION

This fan hanging system supports a maximum 15 degree angled ceiling installation. (Fig.3)

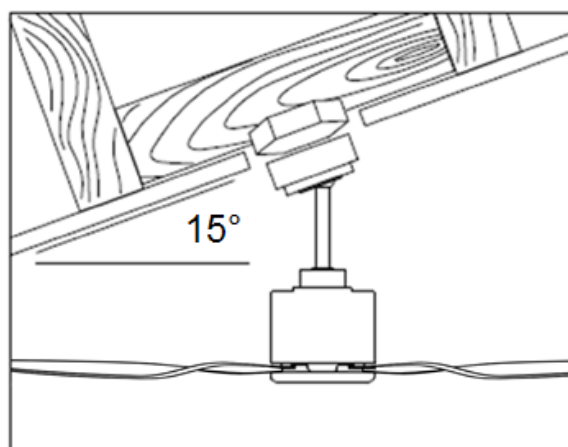


Fig. 3



INSTALLING THE FAN

BLADE INSTALLATION

- Remove the ball joint (1) and dowel pin by loosening the set screw (2). (Fig.4)
Do not discard keep these parts, they are required to reassemble later.
- Remove the canopy (3) and the motor housing (5) from the down rod (4). (Fig.4)
- Align the 3 mounting holes on the blade (7) to the 3 mounting screw holes on the motor (8) and secure using 3 blade screws (6). Ensure the screws are tightened equally and evenly to reduce the chance of warping or unbalancing. Take care not to over tighten the screws as this can damage the blades. (Fig.5)
- Repeat the process for the remaining blades.

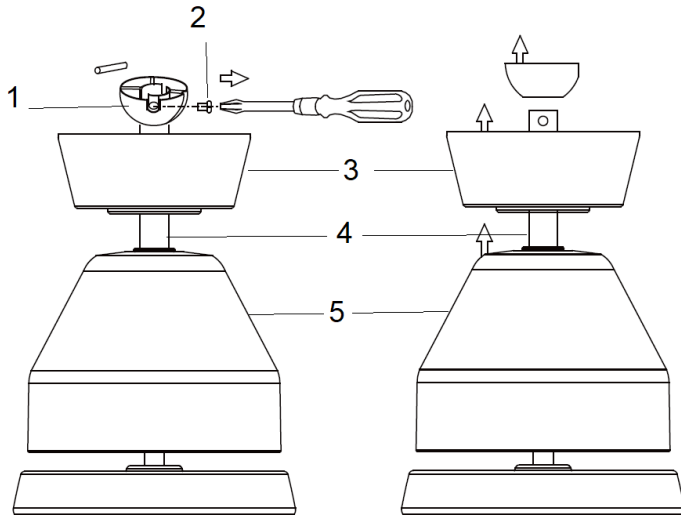


Fig. 4

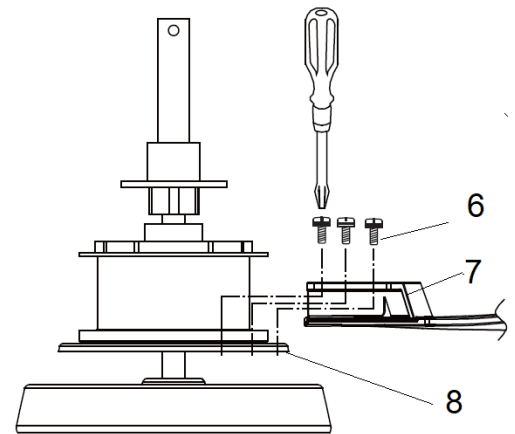


Fig. 5

- Reinstall the motor housing and canopy onto the down rod. (Fig. 6)
- Reinstall the ball joint and dowel pin onto the down rod and secure using the set screw. (Fig. 6)
- Install the globe to the lamp holder. (For fan with light only) (Fig. 7)

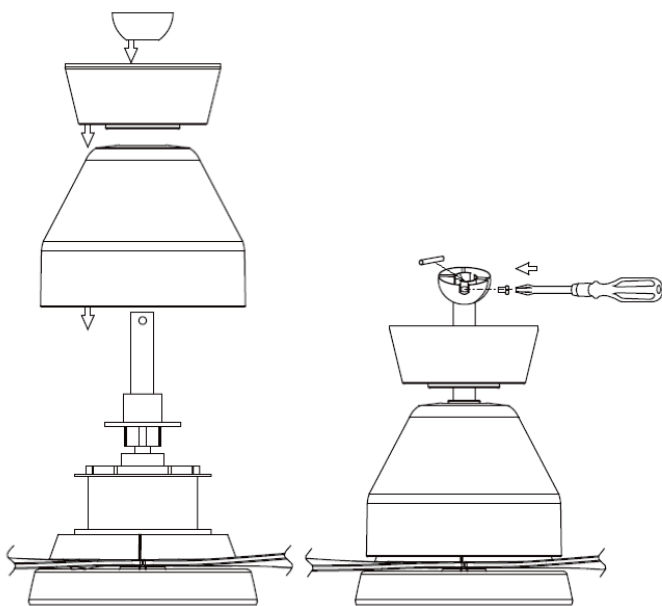


Fig. 6

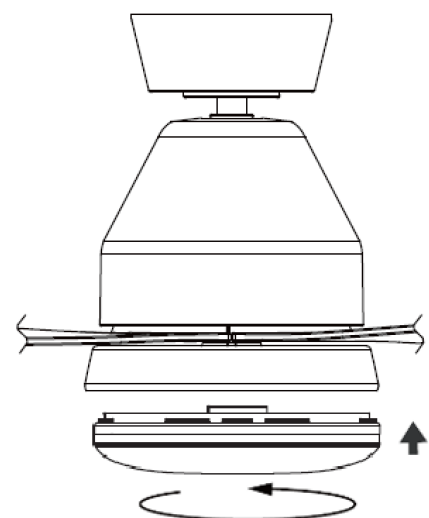


Fig. 7



HANGING THE FAN

Lift the fan assembly onto the mounting bracket. Ensure the key slot (A) of the hanger ball is positioned on the key pin (B) of the mounting bracket (C) to prevent the fan from rotating when in operation. (Fig.8)

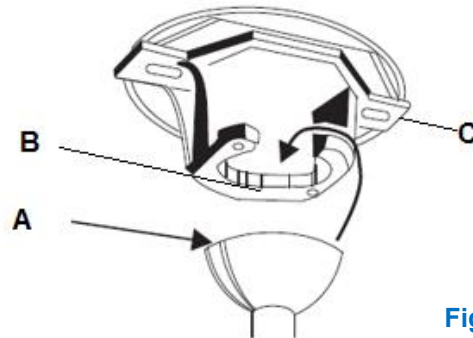


Fig. 8

ELECTRICAL WIRING DIAGRAM

WARNING: FOR YOUR SAFETY ALL ELECTRICAL CONNECTIONS MUST BE UNDERTAKEN BY A LICENSED ELECTRICIAN.

NOTE: AN ADDITIONAL ALL POLE DISCONNECTION SWITCH MUST BE INCLUDED IN THE FIXED WIRING.

NOTE: IF THERE ARE TWO OR MORE DC CEILING FANS INSTALLED IN THE ONE LOCATION, AN SINGLE-POLE SWITCH IS REQUIRED FOR EACH CEILING FAN. THIS IS REQUIRED WHEN PROGRAMMING THE REMOTE AND RECEIVER TO PAIR TOGETHER.

Ensure the motor earth wire is connected to the single earthing terminal block “B” in Fig. 9

WIRING REQUIREMENT AT THE TERMINAL BLOCK:

- Connect the household live supply wire to the “L” terminal of the terminal block “A” on the mounting bracket.
- Connect the household neutral supply wire to “N” terminal of the terminal block “A” on the mounting bracket.
- Earth to “⊕” terminal of the terminal block “A” on the mounting bracket.
- Connect the motor earth wire and DC motor driver earth wire to the single earthing terminal block “B” in the diagram below. (Fig. 9)
- Insert the DC motor driver into the mounting bracket as shown. **Take care not to damage or detach any cables.**
- Connect the fixed wire from the mounting bracket to the input wire of the DC motor driver via 4-port quick connectors (1).
- Connect the motor output wire of the DC motor driver to the input wire of the fan via 4-port quick connectors (2).
- Connect the light output wire of the DC motor driver to the input wire of the light kit via 2-port quick connectors (3).



Whitehaven Fan Installation Instructions

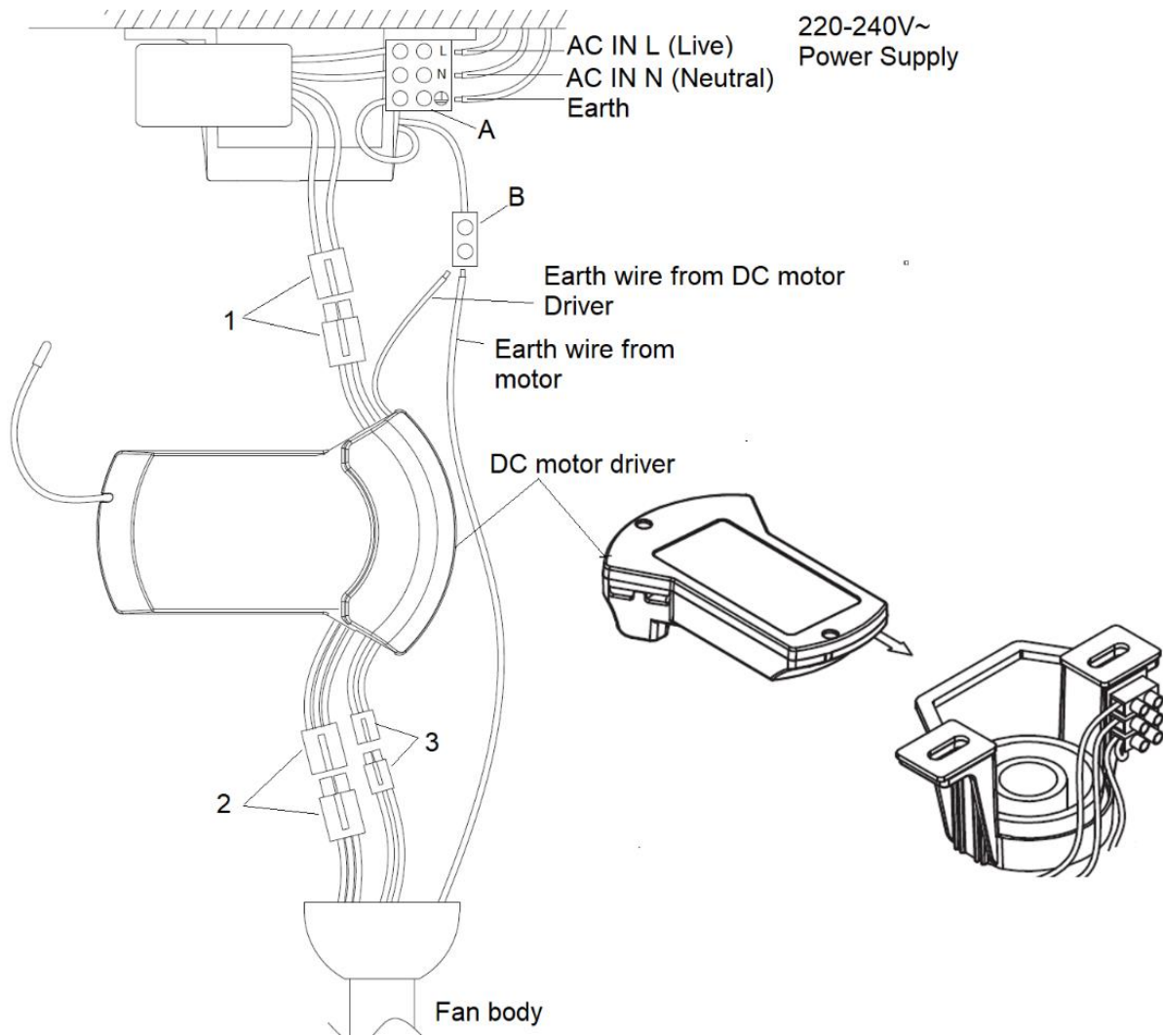


Fig. 9

FINISHING THE INSTALLATION

- Ensure the earth wiring is secure and correct, by performing an earthing continuity test from the fan's accessible metal body back to the earth terminal at the terminal block on the mounting bracket.
- Loosen the two screws at the bottom of the mounting bracket by half a thread. (Fig. 10)
- Slide the canopy up to the mounting bracket and align the key holes on the canopy with the screws on the mounting bracket. Turn the canopy until it locks into place with the narrow section of the key holes and secure it by tightening the two screws. Avoid damaging the electrical wiring prepared previously. (Fig. 10)
- Attach the canopy cover onto the canopy by pushing the lugs into the holes. (Fig. 10)

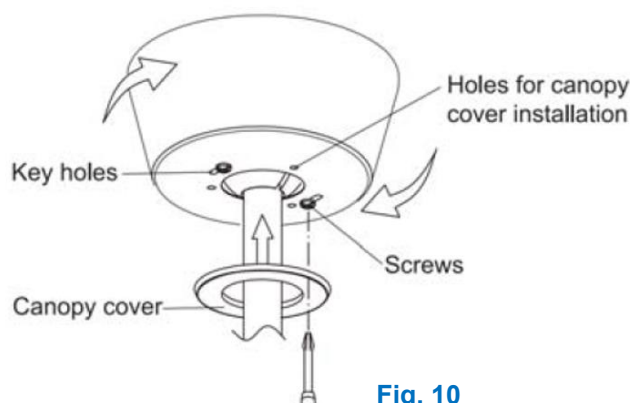


Fig. 10



USING YOUR CEILING FAN

Pairing Transmitter and Receiver – only one DC ceiling fan is installed in one location

NOTE: Ensure that you have installed a single pole disconnection switch in the fixed wiring for fan.

NOTE: Ensure power to the receiver is ON prior to pairing the transmitter with the receiver.

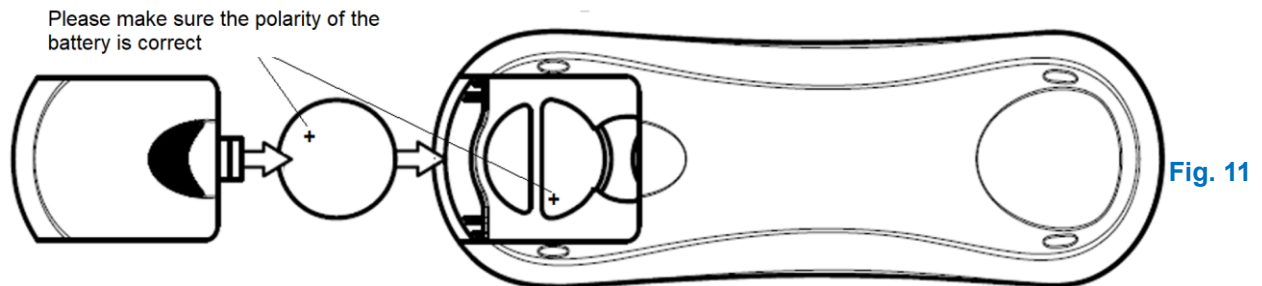
- Turn OFF the mains supply to the fan by on/off wall switch.
- Install the 3V DC battery in the compartment. Please make sure the polarity of the battery is correct. Fig.10

- Press and hold the “⏻” button on **transmitter** for 3—5 seconds within 60 seconds of switching the power ON to the receiver of the ceiling fan.

The fan will move slightly and stop to indicate the paring process is activated.

If the fan has light kit attached, the light will flash on and off to indicate the paring process is activated.

- Turn ON and change the speed of the ceiling fan via the transmitter to check the operation and successful paring.




Pairing Transmitter and Receiver – when 2 or more DC ceiling fans are installed in one location

When two or more fans are located near each other, you may want to have the receiver/transmitter for each fan set to a different code, so that the operation of one fan does not affect the operation of the other fan/s.

NOTE: Ensure that you have installed a single pole disconnection switch in the fixed wiring for each fan.

NOTE: Ensure power to the receiver is ON prior to pairing the transmitter with the receiver.

Transmitter / Receiver pairing for Ceiling fan 1:


- Turn OFF the mains supply to the receivers of both ceiling fans 1 and 2.
- Install the 3V DC battery in the compartment. Please make sure the polarity of the battery is correct. Fig.10
- Turn on the power to receiver 1. Keep the power OFF to receiver 2. (Each ceiling fan must have its own isolation switch, so that only the ceiling fan that needs to be paired with the transmitter will be ON).
- Press and hold the  button of **transmitter 1** for 3-5 seconds within 60 seconds of switching the power ON to the receiver of ceiling fan 1.

The fan will move slightly and stop to indicate the pairing process is activated.

If the fan has light kit attached, the light will flash on and off to indicate the pairing process is activated.

- Turn ON and change the speed of the ceiling fan 1 by the transmitter to check the operation and successful pairing.

Transmitter / Receiver pairing for Ceiling fan 2:

- Turn off the mains supply to the receivers of both ceiling fans 1 and 2.
- Install the 3V DC battery in the compartment. Please make sure the polarity of the battery is correct. Fig.10
- Turn on the power to receiver 2. Keep the power OFF to receiver 1. (Each ceiling fan must have its own isolation switch, so that only the ceiling fan that needs to be paired with the transmitter will be ON).
- Press and hold the  button of **transmitter 2** for 3-5 seconds within 60 seconds of switching the power ON to the receiver of ceiling fan 2.

The fan will move slightly and stop to indicate the pairing process is activated.

If the fan has light kit attached, the light will flash on and off to indicate the pairing process is activated.

- Turn ON and change the speed of ceiling fan 2 by the transmitter to check the operation and successful pairing.

REMOTE CONTROL BUTTONS

1 - FAN SPEED CONTROL BUTTON:

There are 6 available speeds. “I” button is for the lowest speed, and “VI” button is for the highest speed.

NOTE: when you turn on the fan for the first time or switch the main power to the controller, you need to start the fan on high “VI” speed first and then choose a lower speed. A 5-10 seconds is required to allow the DC fan to respond to the remote each speed or fan direction selection.

2 - FAN OFF BUTTON:

Press the button to turn the fan off.

3 - REVERSE FUNCTION BUTTON:

Press the button to activate the reverse running function. The fan must be operating to activate the reverse function.

4 - LIGHT CONTROL BUTTON:

Press the button to turn the light ON/OFF.

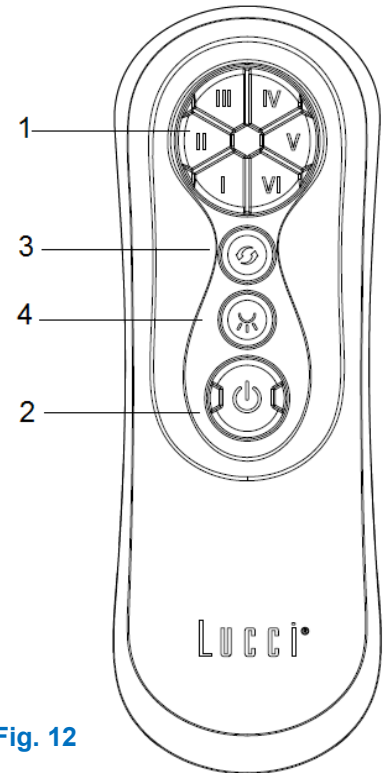


Fig. 12

The LED globe has a 3-step dimmable function which is controlled by an ON/OFF switch.

When the LED light is ON and at 100% brightness, press the light button “ON and then OFF within 5 seconds”, to dim the LED light. Repeat pressing ON and then OFF within 5 seconds to dim further in the following sequence: 100% brightness → 45% brightness → 15% brightness → 100% brightness.

To switch back to 100% brightness at any stage, turn OFF the luminaire, and then wait after 5 seconds turn ON the luminaire, it will reset to 100% brightness.

THE RECEIVER PROVIDES THE FOLLOWING LEVEL OF PROTECTION:

- Lock position: the receiver has a built in safety feature to protect against obstruction during operation. The motor will be locked from operation and will disconnect from power after 30 seconds of interruption. Please remove obstacles before re-starting. To reset, simply turn off the power supply to the fan motor and re-start.
- Over 80W protection: when the receiver detects power consumption which is greater than 80W, the receiver power will be stopped and operation will immediately discontinue. Turn the receiver power on after 5 seconds to restart the fan.




REPAIRING THE FAN RECEIVER & REMOTE PAIRING

Should the remote and receiver lose control after installation or during use, the pairing of the remote and the receiver must be repaired. Below are the operating symptoms and method to repair the pairing of the DC ceiling fan remote and receiver.

Issues:

- Loss of control - Fan is only running at high speed after installation
- Loss of control - No reverse function after installation
- Loss of control - Remote cannot communicate with receiver

Solution:

- A. Switch OFF the main power to ceiling fan for 30 seconds.
- B. Press and hold the “” button on **transmitter** for 3—5 seconds within 60 seconds of switching the power ON to the receiver of the ceiling fan.
- C. Turn ON and change the speed of the ceiling fan via the transmitter to check the operation and successful pairing.

AFTER INSTALLATION

WOBBLE:

NOTE: ceiling fans tend to move during operation due to the fact that they are mounted on a rubber grommet. If the fan was mounted rigidly to the ceiling it would cause excessive vibration. Movement of a few centimetres is quite acceptable and DOES NOT suggest any problem.

TO REDUCE THE FAN WOBBLE: Please check that all screws which fix the mounting bracket and down rod are secure.

BALANCING KIT: A balancing kit is provided to balance the ceiling fan on initial installation. Please refer to the instruction on how to use the balancing kit. The balancing kit can be used to assist re-balancing should the ceiling fan become un-balanced again. Store your balancing kit away after installation for future use if required.

NOISE:

When it is quiet (especially at night) you may hear occasional small noises. Slight power fluctuations and frequency signals superimposed in the electricity for off-peak hot water control, may cause a change in fan motor noise. This is normal. Please allow a 24-hour “breaking-in” period, most noises associated with a new fan disappear during this time. All electric motors are audible to some extent. Please note that this is not a product fault, and as such is not covered under warranty.

Whitehaven Fan Installation Instructions

CARE AND CLEANING:

NOTE: Always turn **OFF** the power at the mains switch before performing any maintenance or attempting to clean your fan.

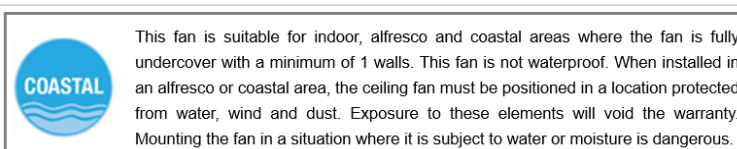
- Every 6 months periodic cleaning of your ceiling fan is the only maintenance required. Use a soft brush or lint free cloth to avoid scratching the paint finish. Please turn off electricity power when you do so.
- Do not soak or immerse your ceiling fan in the water or other liquids. It could damage the motor or the blades and create the possibility of an electrical shock.
- Ensure that the fan does not come in contact with any organic solvents or cleaners.
- To clean the fan blade, wipe with only a damp clean cloth with NO organic solvents or cleaners.
- The motor has a permanently lubricated ball bearing so there is no need to oil.

SAFETY PRECAUTIONS FOR BATTERY:

- **WARNING** – Keep new and used batteries away from children.
- **CAUTION** – Do not ingest battery—Chemical burn hazard.
- To prevent false operation during battery insertion or replacement, this ceiling fan must be disconnected from the supply mains.
- Always use Lithium **CR2032** battery type with this ceiling fan remote controller.
- Ensure the batteries are inserted with the correct polarity.
- Dispose of exhausted batteries immediately and safely (so they cannot be retrieved by children). Flat batteries can still be dangerous. Contact your local council to safely dispose of the battery.
- Regularly check the product and make sure the battery box lid is correctly secured. If the battery compartment does not close securely, stop using the product and keep it away from children.
- Remove batteries from the product when not in use for long periods of time.
- Do not use rechargeable batteries in this product.
- **Batteries must be removed from the remote transmitter before it is discarded.**
- If you think batteries might have been swallowed or placed inside any part of the body, seek immediate medical attention. If you suspect your child has swallowed or inserted a button battery, immediately call the 24-hour Poisons Information Centre on **13 11 26** for fast, expert advice.
- Battery Leaks: Battery contains chemicals and should be treated as any chemical would. Take precautions when handling leaked battery chemicals. Battery chemicals should not be placed near the eyes or ingested. Contact Poisons Information Centre on **13 11 26** for fast, expert advice.

TECHNICAL INFORMATION

Fan Models	56" fan only	56" fan with light
Rated Voltage	220-240V~ 50Hz	
Rated Wattage (Motor)	35W	
Rated wattage (Lamp)	N/A	GX53,18W, 1700lm, 3000K, 3 step-dim
Battery for remote	3VDC, CR2032	
Weight	4.4kg	4.8kg
Canopy Dimensions	H:55mm Dia:142mm	



LUCCI CEILING FAN WARRANTY DETAIL

LUCCI WARRANTY HOTLINE- 1800 602 243

THIS WARRANTY IS VALID IN AUSTRALIA ONLY

In the event of service being required, please call the Lucci Fan Warranty Hotline on 1800 602 243 between 9am & 5pm (EST) Monday to Friday. Please make sure you have all the ceiling fan details filled out at the end of the manual before making the call.

Every Lucci ceiling fan is thoroughly inspected and tested before being released for sale. In addition to any warranty rights or conditions under statutory regulations, Lucci warrants all of its ceiling fans against defective workmanship and faulty materials for twenty four (24) months from the date of purchase. Lucci undertakes, at its option, to repair or replace, free of charge, each product or part thereof on condition that;

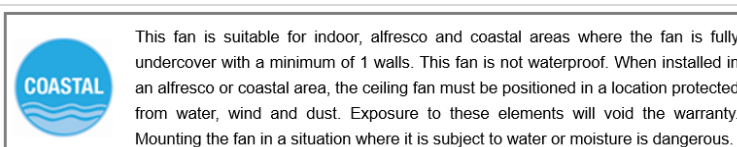
1. The fan or relevant part has not been subjected to misuse, neglect, or been involved in an accident.
2. The repairs are not required as a result of normal wear and tear.
3. The product was installed by a licensed electrical contractor.
4. A copy of the original receipt of purchase is presented.
5. 12 month warranty applies when used in any non-domestic applications.
6. This warranty does not cover stains, scratch and scuff marks, or dents if the product is purchased through a factory outlet or to refurbished items.

Our goods come with guarantees that cannot be excluded under the Australian Consumer Law. You are entitled to a replacement or refund for a major failure and compensation for any other reasonably foreseeable loss or damage. You are also entitled to have the goods repaired or replaced if the goods fail to be of acceptable quality and the failure does not amount to a major failure.

Lucci Design cannot be held responsible for any repair other than those carried out by it or one of its Authorised Service Agents. Please keep this warranty information in a safe place. This information must be produced in the event of service being required.

Distributed by:

Beacon Lighting
140 Fulton Drive
Derrimut, Victoria, 3026
Australia
Ph +613 9368 1000
Fax +613 9360 9332
Email: warranty@beaconlighting.com.au



CEILING FAN WARRANTY INFORMATION

LUCCI WARRANTY HOTLINE- 1800 602 243

Complete and retain this form for your personal records and warranty purposes.

NAME.....

ADDRESS.....

.....POSTCODE.....

MODEL NUMBER.....

PO NUMBER or DATECODE (PO# + DATECODE Sticker here)

DATE OF PURCHASE.....


INSTALLING LICENSED ELECTRICIAN.....

.....

LICENCE No.....

ATTACH PROOF OF PURCHASE HERE

THIS COMPLETED DETAIL PAGE SHOULD BE PRODUCED AND FAXED TO THE WHOLESALE OR THEIR AUTHORISED AGENTS BEFORE OBTAINING WARRANTY SERVICE



This fan is suitable for indoor, alfresco and coastal areas where the fan is fully undercover with a minimum of 1 walls. This fan is not waterproof. When installed in an alfresco or coastal area, the ceiling fan must be positioned in a location protected from water, wind and dust. Exposure to these elements will void the warranty. Mounting the fan in a situation where it is subject to water or moisture is dangerous.